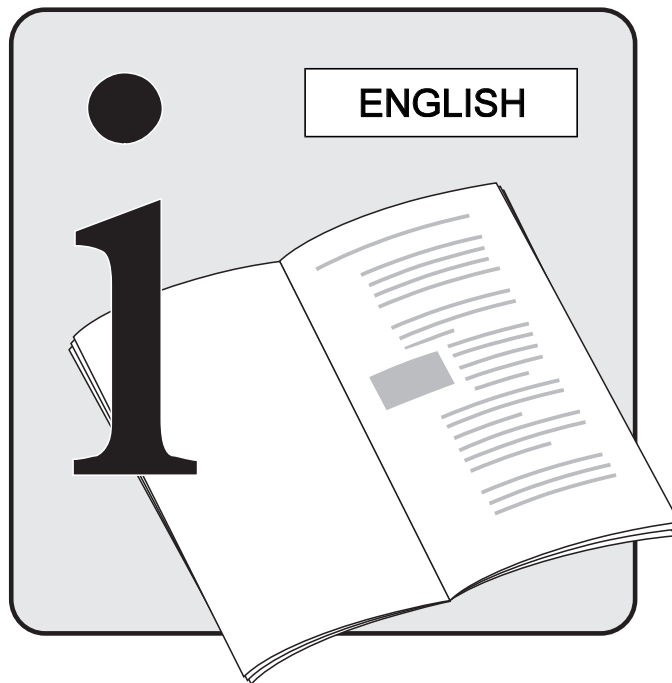




KÄRCHER



HD 525 S

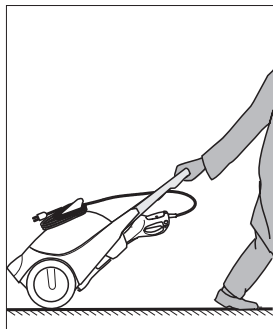
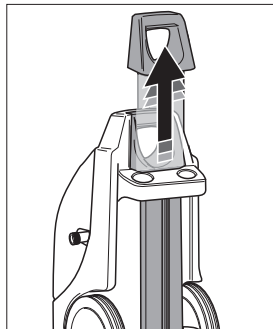
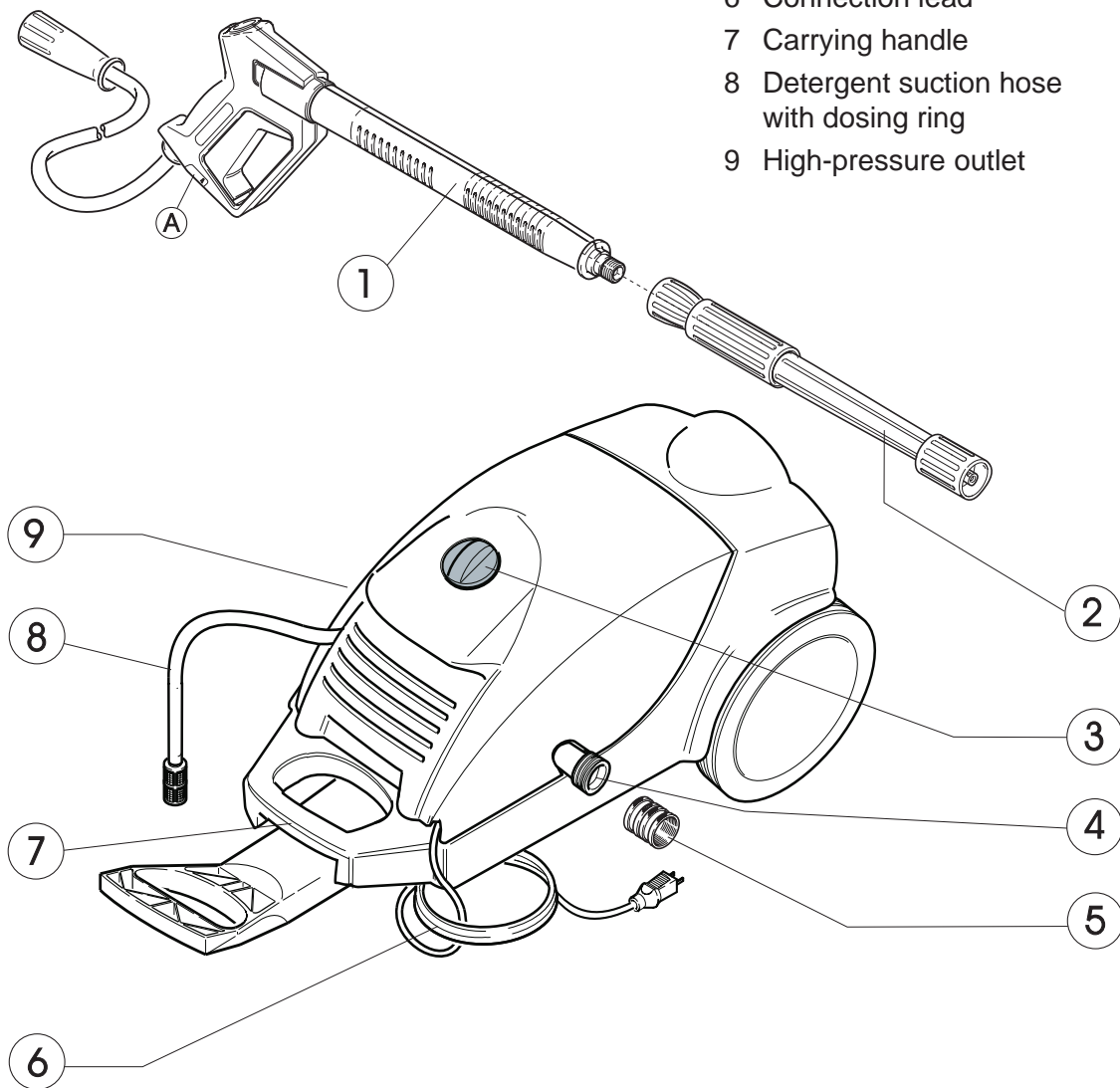
Please read these operating instructions before starting and strictly observe the “**Safety Instructions for High Pressure Cleaners (5.951-949)**”.

WARNING

- DO NOT USE WITH FLAMMABLE LIQUIDS AND TOXIC CHEMICALS.
- INJECTION HAZARD: EQUIPMENT CAN CAUSE SERIOUS INJURY IF THE SPRAY PENETRATES THE SKIN. DO NOT POINT THE GUN AT ANYONE OR ANY PART OF THE BODY. IN CASE OF PENETRATION SEEK MEDICAL AID IMMEDIATELY.
- THIS SYSTEM IS CAPABLE OF PRODUCING 8500 KPA. TO AVOID RUPTURE AND INJURY, DO NOT OPERATE THIS PUMP WITH COMPONENTS RATED LESS THAN 8500 KPA WORKING PRESSURE (INCLUDING BUT NOT LIMITED TO SPRAY GUNS, HOSE AND HOSE CONNECTIONS).
- BEFORE SERVICING, CLEANING OR REMOVAL ANY PARTS, SHUT OFF POWER AND RELIEVE PRESSURE.

1. Starting

- 1 Spray gun with safety ratchet (A) and high-pressure hose
- 2 Spray lance (with vario nozzle)
- 3 Appliance switch (ON/OFF)
- 4 Water connection with filter
- 5 Coupling
- 6 Connection lead
- 7 Carrying handle
- 8 Detergent suction hose with dosing ring
- 9 High-pressure outlet



1. Starting

Unpacking the unit

- If, while unpacking, you discover damage has been caused in transit, please inform your dealer immediately.
- Do not simply discard the packing materials with the house-hold waste. Take the packing materials to the appropriate collection areas for recycling.

Attaching accessories

- Screw spray lance onto hand gun.

Connecting the power supply

- See technical data of connected values.
- Check whether the voltage shown on the rating plate corresponds to that of the power source.

Note:

*If you are using an extension cable, it should always be completely unwound from the cable drum and have a sufficient cross-sectional area:
10 m = 1.5 mm², 30 m = 2.5 mm²*

Connecting the water supply

- See Technical Data for connected values.
- Connect a water supply hose (not supplied) to the appliance and the water pipe.

Suction

Observe the following if you are drawing water from an open container:

- Attach a suction hose with filter (order no. 4.440-238) directly to the appliance.
- To vent the unit, unscrew the nozzle and leave the unit running until the water exits with no air bubbles.
- Switch off the unit and screw the nozzle back on.

Purpose

- Use the appliance to clean machines, vehicles, buildings, tools, etc.
- Clean facades, patios, garden implements, etc. with the high-pressure spray only, i.e. without detergent.
- Engines must only be cleaned in places which have appropriate oil traps (protection of the environment).
- If the machine is used at petrol stations or in other hazardous areas, the appropriate safety regulations must be observed.
- For stubborn dirt, we recommend use of the dirt blaster which is available as an optional accessory.

Note: When using the dirt blaster, set the spray lance to maximum pressure. (Assembly: see page 6 "Nozzle replacement")

2. Operation

Deaerating the unit

- Open the water supply.
- To vent the unit, unscrew the nozzle and leave the unit running until the water exits with no air bubbles.
- Switch off the unit and screw the nozzle back on.

Operating with high pressure

- Release safety latch on handgun and press lever.
- Switch on unit.

Note: This unit is equipped with a pressure switch. The motor only starts up when the lever on the handgun is pressed.

- The working pressure can be continuously adjusted by means of the pressure control on the spray lance.
- Always direct high-pressure jet at object being cleaned from a greater distance first of all, in order to prevent damage if pressure is too high.

Operating with detergents

- Set the lowest working pressure with the spray-lance. No detergent can be drawn in with a high working pressure.
- Set the dosing ring on the detergent filter to the required position.
- Suspend the detergent hose in the detergent container (not included).
- In the interest of environmental protection, we recommend that you use detergents sparingly. Observe dosage recommendations shown on label on detergent canister.
- We provide a specialized programme of detergents and other cleaning products, which guarantee trouble-free operation of your cleaner. Please ask for advice or send for our catalogue or information sheets with details about the cleaning agents.
 - Active cleaner RM 31 ASF
 - Universal cleaner RM 55 ASF
 - Active wash RM 81 ASF

Note:

Only those detergents which have been approved by the appliance manufacturer may be used. Unsuitable detergents can damage the appliance and the object being cleaned.

- We recommend the following cleaning methods:

Step 1: Loosening dirt

Spray on detergent sparingly and leave for 1–5 minutes.

Step 2: Removing dirt

Spray off the loosened dirt with the high-pressure spray.

- The appliance should be rinsed clean after detergent has been used. To do this, suspend the detergent suction hose in a container of clean water, and run the pump for approx. 1 minute.

Interrupting operation

- If you release the trigger of the hand-held spray gun, the appliance switches off. If the trigger is pulled again, the appliance switches on again.

Switching off the unit

- Switch off the unit and pull the electric plug out of the socket.
- Close the water supply.
- Squeeze the lever on the spray gun until the unit has depressurized.
- Secure the lever on the spray gun against unintentional opening.

Transporting the unit

- The unit is equipped with a handle and wheels which enable it to be moved over longer distances more easily.
- The unit should be carried over steps or stairs by the handle.

3. Care and Maintenance

Monthly or as required

- Clean the filter on the detergent suction hose.
- Clean the high-pressure nozzle.
Remove dirt from the nozzle hole with a needle, and rinse with water from the front.
- Clean the strainer in the water connection. It can be easily removed with a flat-nosed pliers.

Nozzle replacement

- Detach the spray lance from the handgun.
- Unscrew the nozzle holder, using an Allen key (size 6 A/F) to counter the turning force.

- You can now replace the nozzle.
- When you screw the nozzle holder back onto the spray lance, make absolutely sure that there is no dirt on the O-rings.
- You can also screw a dirt blaster onto the spray lance instead of the nozzle holder.

Frost protection

- Frost will destroy an appliance which has not been completely emptied of water. Ideally, the appliance should be stored in a frost-free room.

4. Troubleshooting

Note:

Disconnect the appliance from the power mains before all repair work.

Only authorized customer service personnel may inspect electrical components.

In this chapter, we would like to give you some hints on dealing with malfunctions yourself.

In all other cases or in the case of electrical faults, please contact the authorized customer service.

Appliance does not work

- Check the mains voltage.
- Check the connector cable for damage.
- If the motor overheats, allow it to cool down for a few minutes. Then switch back on again.

Appliance does not reach operational pressure

- Set the spray lance to the maximum working pressure.
- Bleed the air from the appliance.(→ Suction 2.)

- Clean the strainer in the water connection.
- Check the inlet water flow rate.
- Check all inlet pipes to the pump for leaks or blockage.

Strong pressure fluctuations

- Clean the high-pressure nozzle. Remove dirt from the nozzle hole with a needle, and rinse with water from the front.

Pump leaks

- 3 drops per minute are permissible. In the case of more serious leakage, you should contact the authorized customer service.

No detergent suction

- Set the spray lance to the minimum working pressure.
- Clean the detergent suction hose with filter and check for leaks.

5. General Information

Safety inspection

You may arrange for a safety inspection with your Kärcher dealer. Your dealer will be glad to advise you.

Service contract

You may also take out a service contract with your dealer.

The safety inspection is included in the service contract. Your dealer will be glad to advise you.

Safety equipment

When the hand-held spray gun is closed, the overflow valve switches off the appliance via a pressure-operated switch. The overflow valve is also a safety device against exceeding the maximum allowable working pressure.

Spare parts

A selection of the most common spare parts numbers is listed at the end of these operating instructions.

6. Technical Data

Power connection

Voltage	120 V	
Type of current	1~ 60 Hz	
Connected load	1.5 kW	(2.0 hp)
Mains fuse (slow)	15 A	

Water connection

Supply temperature (max.)	60 °C	
Supply rate (min.)	600 l/h	(2.5 gpm)
Supply hose – length (min.)	7.5 m	
– diameter (min.)	½ in	
Suction height from open tank at a water temperature of 20 °C	1 m	
Supply pressure (max.)	12 bar	

Performance data

Operating pressure	2000–8500 kPa	(300–1250 psi)
Flow rate	410 l/h	(1.8 gpm)
Detergent intake	0–25 l/h	(0–7 gpm)
Recoil force of hand-held spray gun at operating pressure (max.)	15 N	
Sound pressure level (DIN 45635)	74 dB (A)	

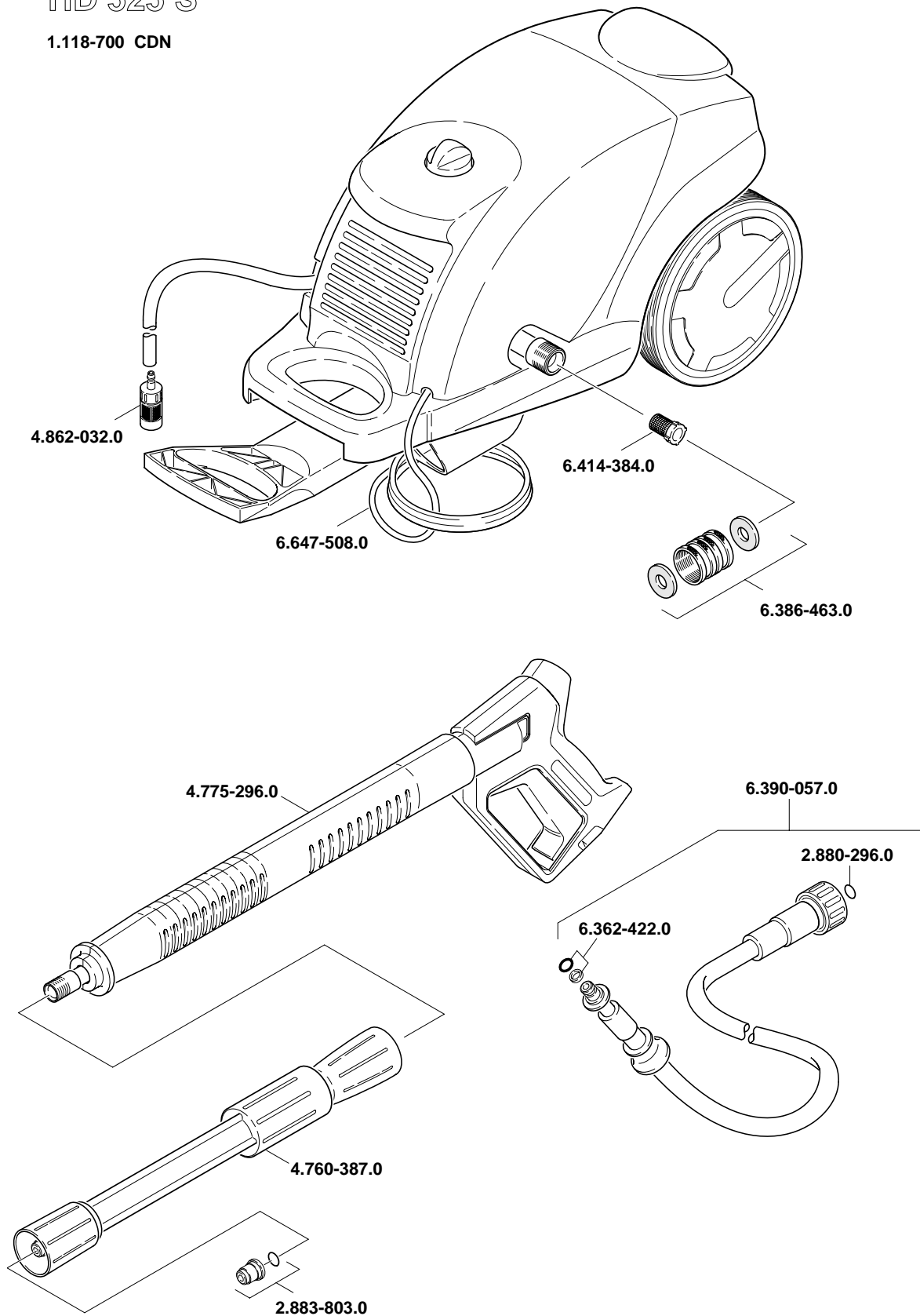
Dimensions

Length	508 mm
Width	225 mm
Height	284 mm
Weight without accessories	16 kg

7. Spare Parts

HD 525 S

1.118-700 CDN



08/98